



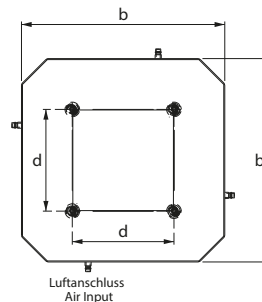
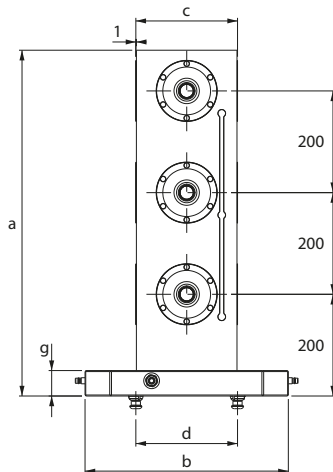
Referenz-Nr. Order No.	a	b	c	d	g	Zero Clamp Menge / pcs.		Spannbolzen Pull Stud Menge/pcs.	Spannkraft clamping force Kgf	 (kg)
2480-400200	680	400	200	200	50	12	Ø120	4	3x2500=7500 kgf	100
2480-500200	680	500	200	350	50	12	Ø120	4	3x2500=7500 kgf	111
2480-630250	680	630	250	200	50	12	Ø138	6	3x4000=12000 kgf	178

2480

- Material: Aluminium

2480

- Material: Aluminium



- Unterschiedliche Anwendungen möglich
- Product application area is not limited to the alues given in tables. Various applications are possible.